



Electronic Monitoring Program

Objective: To test the viability of Electronic Monitoring (EM) as a source of data to document individual accountability of catch and bycatch in the Pacific Trawl Rationalization Program.

Welcome Aboard an Electronic Monitoring Program Vessel!

The EM program has plans to deploy EM systems on catch share fishing vessels fishing bottom trawl, fixed, and midwater trawl gears in 2013 and beyond. Please take a few minutes to read through this instruction sheet and acquaint yourself with camera and equipment positioning and the skipper's instructions. Each vessel has one of two types of EM systems deployed in the fishery; 1. Archipelago Marine Research's system or 2. Saltwater, Inc.'s system.

Observer Instructions:

- Perform all WCGOP duties as you would on any standard trip.
- Do not handle or interact with the equipment in any manner (e.g., adjusting, blocking, cleaning).
- Avoid interaction with winch and hydraulic sensors.
- Use the monitor in the wheelhouse to get a sense of where cameras are pointing on the deck. Think about body positioning relative to the camera focused on your work area to avoid blocking view of the fish.
- Any discarding of catch must be done **in full view of a camera, if safe**. All vessels have designated "discard control points". If you can use one of these points safely, please do.
- Skippers are voluntary participants in this program and have been asked to fill out discard logbooks to assist with program testing. If asked, and you have information or expertise that might be useful in this process (identification, weight estimation, etc.), please provide what assistance you can, as time allows.

Equipment descriptions:

- GPS Receiver – *Provides location, speed and heading information and, on some vessels, triggers video recording when the vessel leaves port*
- EMS Cameras – *Provide video of catch and sorting on deck*
- Hydraulic Pressure Transducer – *Provides information on hydraulic pressure, allowing for detection of fishing activity and, on some vessels, triggers video recording when a pressure threshold has been exceeded*
- Winch/Drum Rotation Sensor - *Provides information on drum rotation, allowing for detection of fishing activity by video reviewers*
- Control Point/User Interface – *Allows crew to insure equipment is functioning properly and to familiarize themselves with camera views*

EM Staff Contact Information Alia Al-Humaidhi, Ryan Easton, Courtney Donovan; 503-595-3100;
EM_Support@PSMFC.org

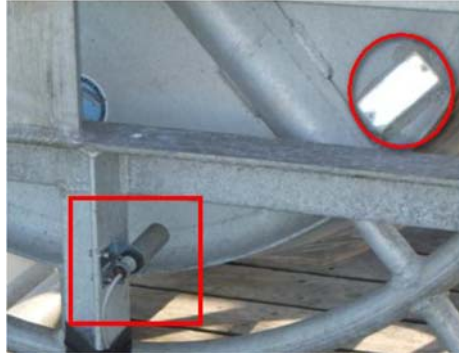
Electronic Monitoring System (EMS) Equipment:

Archipelago Marine Research's (AMR) System Components

GPS Receiver



Winch/Drum Rotation Sensor



Control Box/User Interface



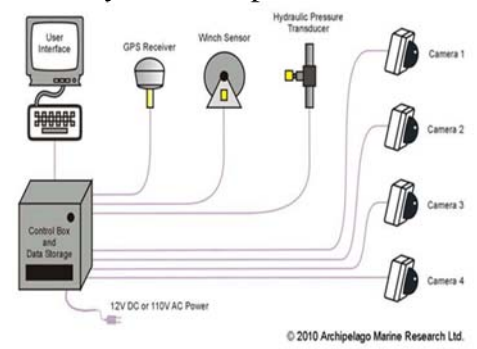
EMS Camera (3-4 per vessel)



Hydraulic Pressure Transducer



EMS System Components



Saltwater, Inc.'s System Components

EMS Camera, GPS and Motion Sensor (2 per vessel)



Hydraulic Pressure Transducer



Control Point/User Interface

